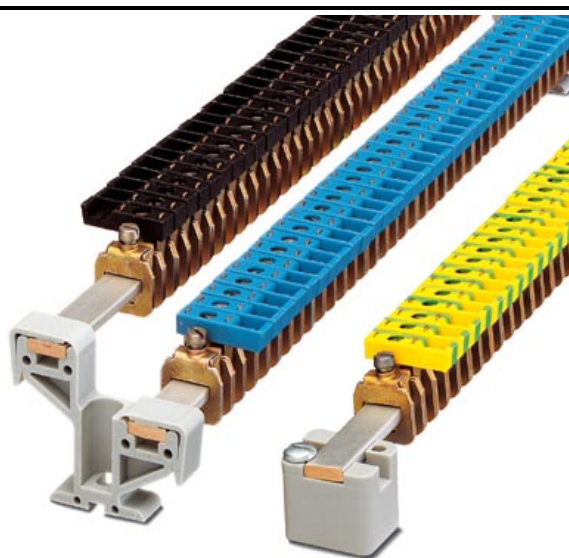


Please note that the data given here has been taken from the online catalog. For comprehensive information and data, please refer to the user documentation at <http://www.download.phoenixcontact.com>. The General Terms and Conditions of Use apply to Internet downloads.

► Extract from the online catalog



Power terminal block, cross section: 0.5 - 4 mm² , width: 7 mm, color: blue

The illustration shows a combination of versions AKG 4 BK, AKG 4 BU and AKG 4 GNYE

| | |
|--------------------------|--------------------|
| Order No. | 0421016 |
| Ord designation | AKG 4 BU |
| EAN | 4017918001919 |
| Pack | 50 Pcs. |
| Customs tariff | 85369010 |
| Catalog page information | Page 262 (CL-2005) |

► Technical data

General

| | |
|------------------------------------|------|
| Color | blue |
| Insulating material | PA |
| Inflammability class acc. to UL 94 | V2 |

Dimensions

| | |
|--------|---------|
| Length | 23.5 mm |
| Width | 7 mm |

Technical data

| | |
|----------------------------------|---|
| Maximum load current | 41 A (with 6 mm ² conductor cross section) |
| Connection in acc. with standard | IEC/ DIN VDE |
| Nominal current I _N | 41 A |

Connection data

| | |
|---|---------------------|
| Conductor cross section, rigid min. | 0.5 mm ² |
| Conductor cross section, rigid max. | 6 mm ² |
| Conductor cross section flexible min. | 0.5 mm ² |
| Conductor cross section, flexible max. | 4 mm ² |
| Conductor cross section AWG/kcmil min. | 20 |
| Conductor cross section AWG/kcmil max | 10 |
| Conductor cross section flexible, with ferrule without plastic sleeve min. | 0.5 mm ² |
| Conductor cross section flexible, with ferrule without plastic sleeve max. | 6 mm ² |
| Conductor cross section flexible, with ferrule with plastic sleeve min. | 0.5 mm ² |
| Conductor cross section flexible, with ferrule with plastic sleeve max. | 6 mm ² |
| 2 conductors with same cross section, solid min. | 0.5 mm ² |
| 2 conductors with same cross section, solid max. | 2.5 mm ² |
| 2 conductors with same cross section, flexible, min. | 0.5 mm ² |
| 2 conductors with same cross section, flexible max. | 2.5 mm ² |
| 2 conductors with same cross section, flexible, ferrules without plastic sleeve min. | 0.5 mm ² |
| 2 conductors with same cross section, flexible, ferrules without plastic sleeve, max. | 2.5 mm ² |
| 2 conductors with same cross section, flexible, TWIN ferrules with plastic sleeve, min. | 0.5 mm ² |
| 2 conductors with identical cross section, flexible TWIN ferrules with plastic sleeve, max. | 2.5 mm ² |
| Stripping length | 16 mm |
| Screw thread | M 4 |
| Tightening torque, min | 1.5 Nm |
| Tightening torque max | 1.8 Nm |

► Certificates

Certificate logos



UL

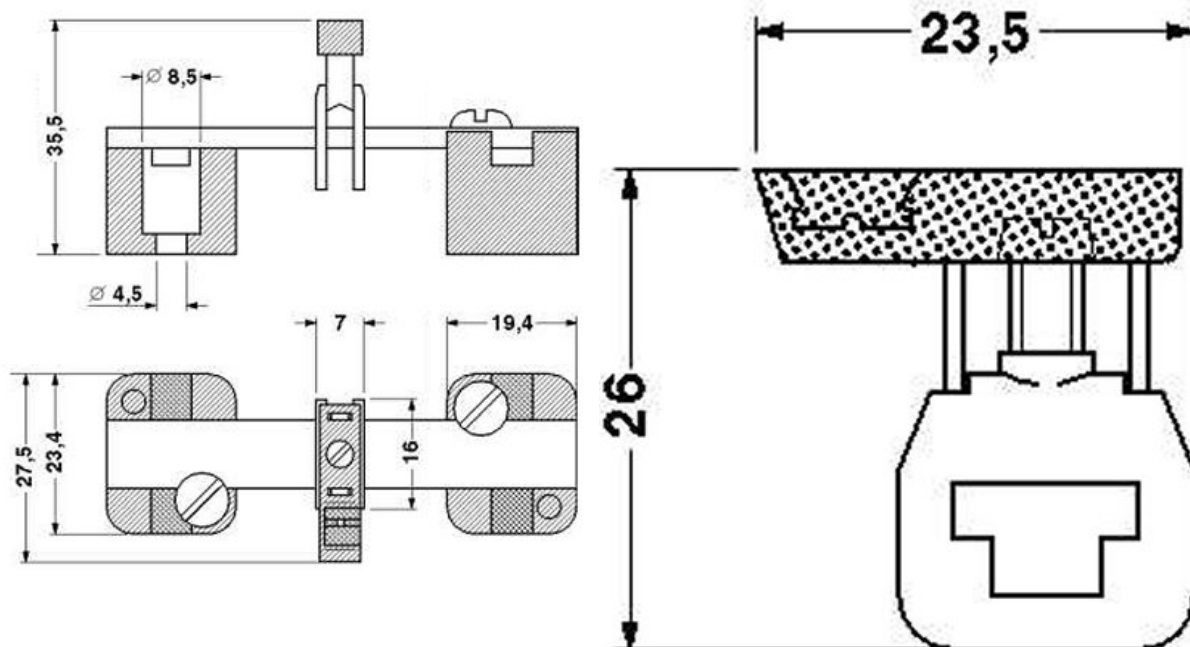
| | |
|-----------------------|-------|
| Nominal voltage U_N | 300 V |
| Nominal current I_N | 20 A |
| AWG/kcmil | 22-12 |

CUL

| | |
|-----------------------|-------|
| Nominal voltage U_N | 300 V |
| Nominal current I_N | 20 A |
| AWG/kcmil | 22-12 |

► Drawings

Dimensioned drawing



► Accessories

| Item | Designation | Description |
|-----------------|-------------------|--|
| Assembly | | |
| 0404428 | AB/SS | Support made of insulating material, with retaining screw, for use with either 3 x 10 mm or 6 x 6 mm busbar, color: gray |
| 0404431 | AB2/SS | Double support, insulating material, optionally for use with 3 x 10 mm or 6 x 6 mm busbar, height: 48 mm |
| 0404460 | ABN 2/SS | Double support, insulating material, optionally for use with 3 x 10 mm or 6 x 6 mm busbar, height: 36.8 mm |
| 0402174 | NLS-CU 3/10 METER | SN Neutral busbar, 3x10 mm, length: 1000 mm |
| 3032431 | UAB 1 | Separating plate, width: 2 mm, color: blue |
| Marking | | |
| 1050004 | ZB 5 :UNBEDRUCKT | Zack strip, unprinted, 10-section, for individual labeling with M-PEN, ZB-T or CMS system, pack is sufficient for 100 terminal blocks, for a terminal width of 5.02 mm, color: White |
| Tools | | |
| 1205053 | SZS 0,6X3,5 | Screwdriver, bladed, matches all screw terminal blocks up to 4.0 mm ² connection cross section, blade: 0.6 x 3.5 mm, without VDE approval |

► Address

PHOENIX CONTACT GmbH & Co. KG
Flachsmarktstr. 8
32825 Blomberg
Germany
Phone +49 5235 3 00
Fax +49 5235 3 1200
<http://www.phoenixcontact.com>
Phoenix Contact
Technical modifications reserved;